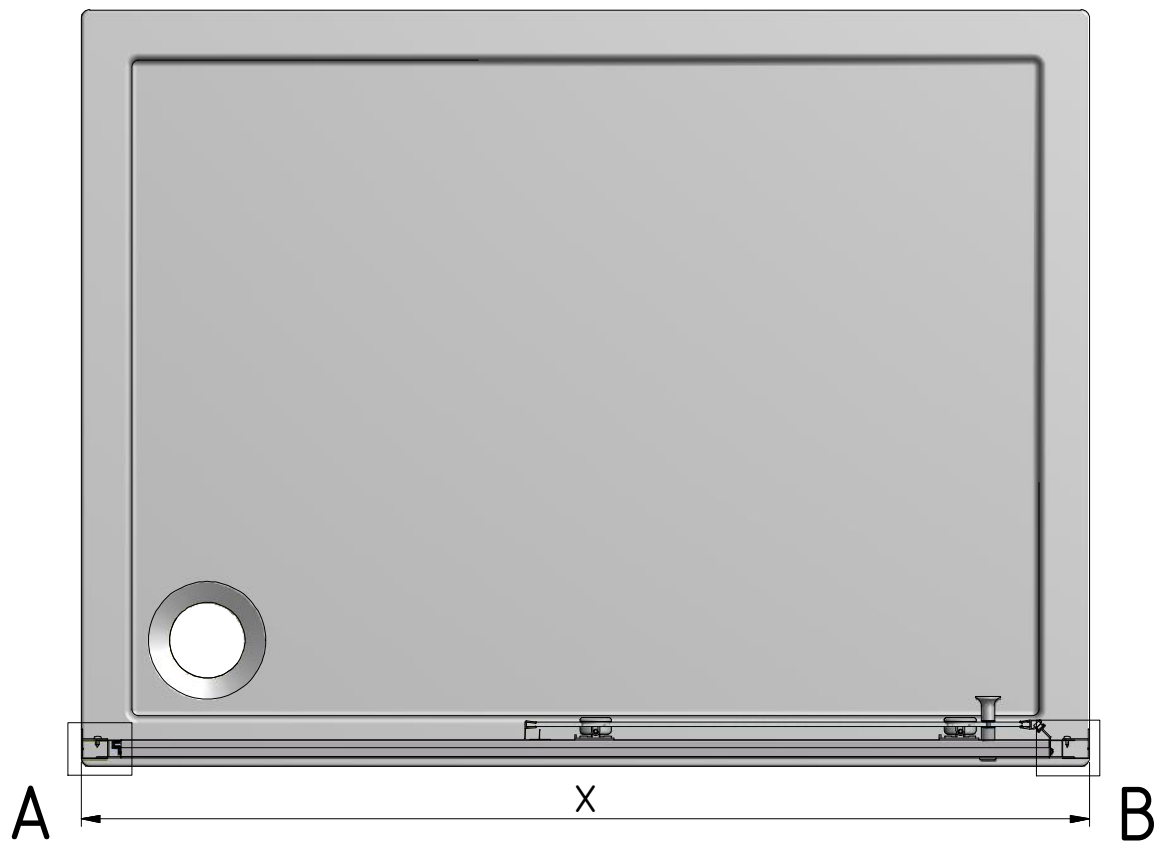
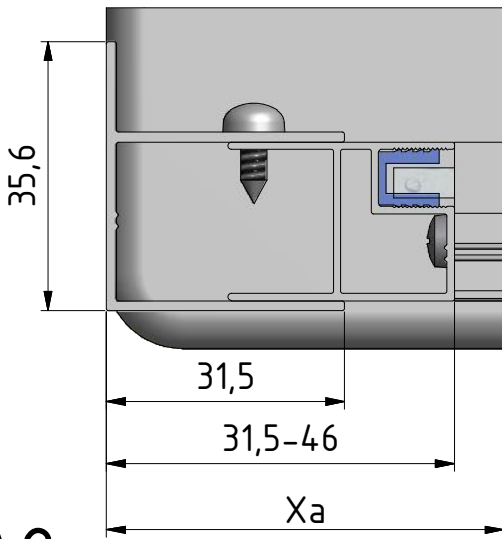


# LLD2

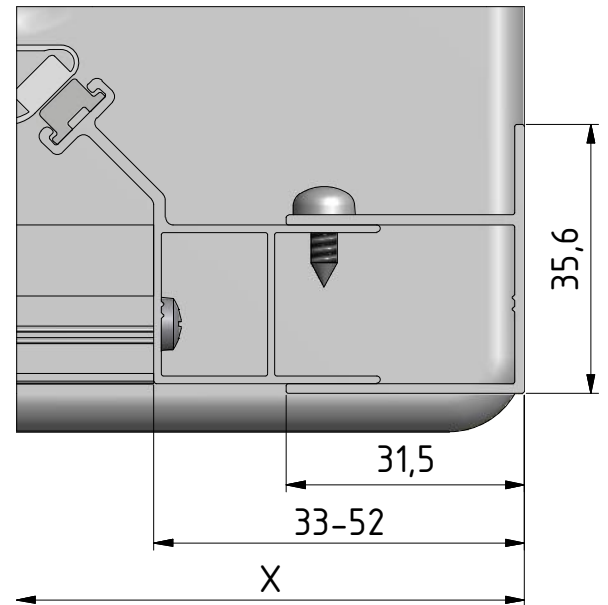




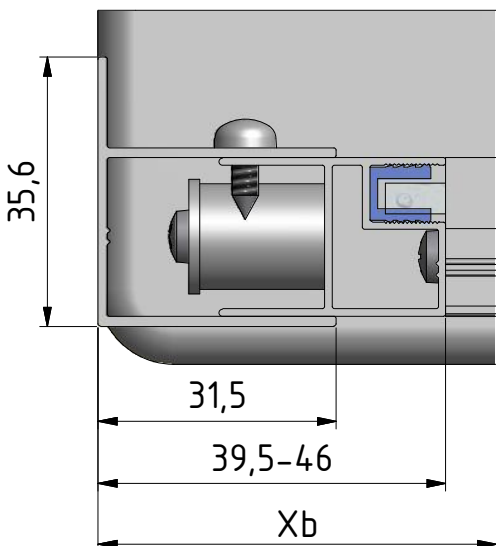
A1



B



A2



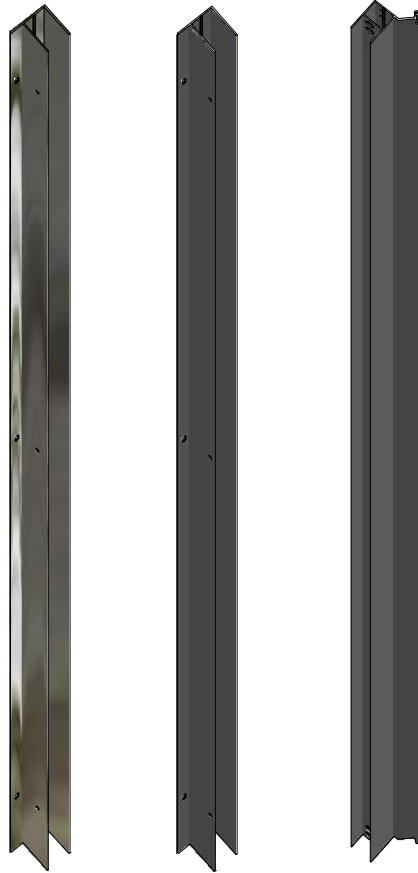
	Xa	Xb
1000	970-1005	978-1005
1200	1170-1205	1178-1205
1400	1370-1405	1378-1405
1600	1570-1605	1578-1605
1700	1670-1705	1678-1705
1800	1770-1805	1778-1805

3. 1x (P3081) 7. 1x (P3101) 9. 1x (P3129)

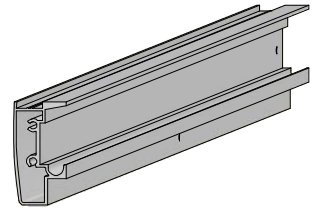
1. 1x  
V132



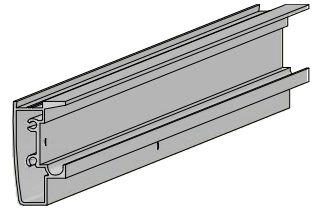
2. 1x  
V134



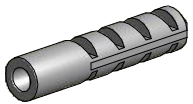
8A. 1x (P168)



8B. 1x (P169)



4. 6x (M0511)



5. 3x (M0795)



6. 12x (MA0511)

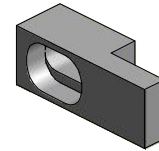


10. 8x (M0790)

Ø3,5x19



11. 2x (MA0064)

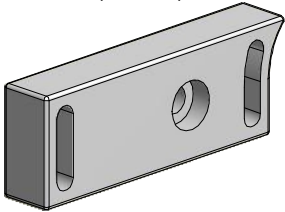


12. 10x (M0806)

Ø3,5x9,5

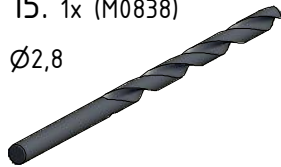


13. 2x (M5425)

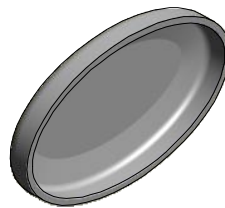


15. 1x (M0838)

Ø2,8



16. 4x (MA3119)



22. 1x (MA2331)

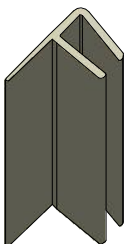


25. 3x (M0790)

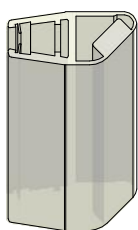
Ø3,5x19



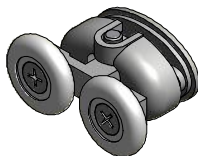
17. 1x+1x  
(P3200;P3201)



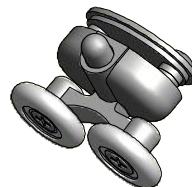
18. 1x (MA2020)

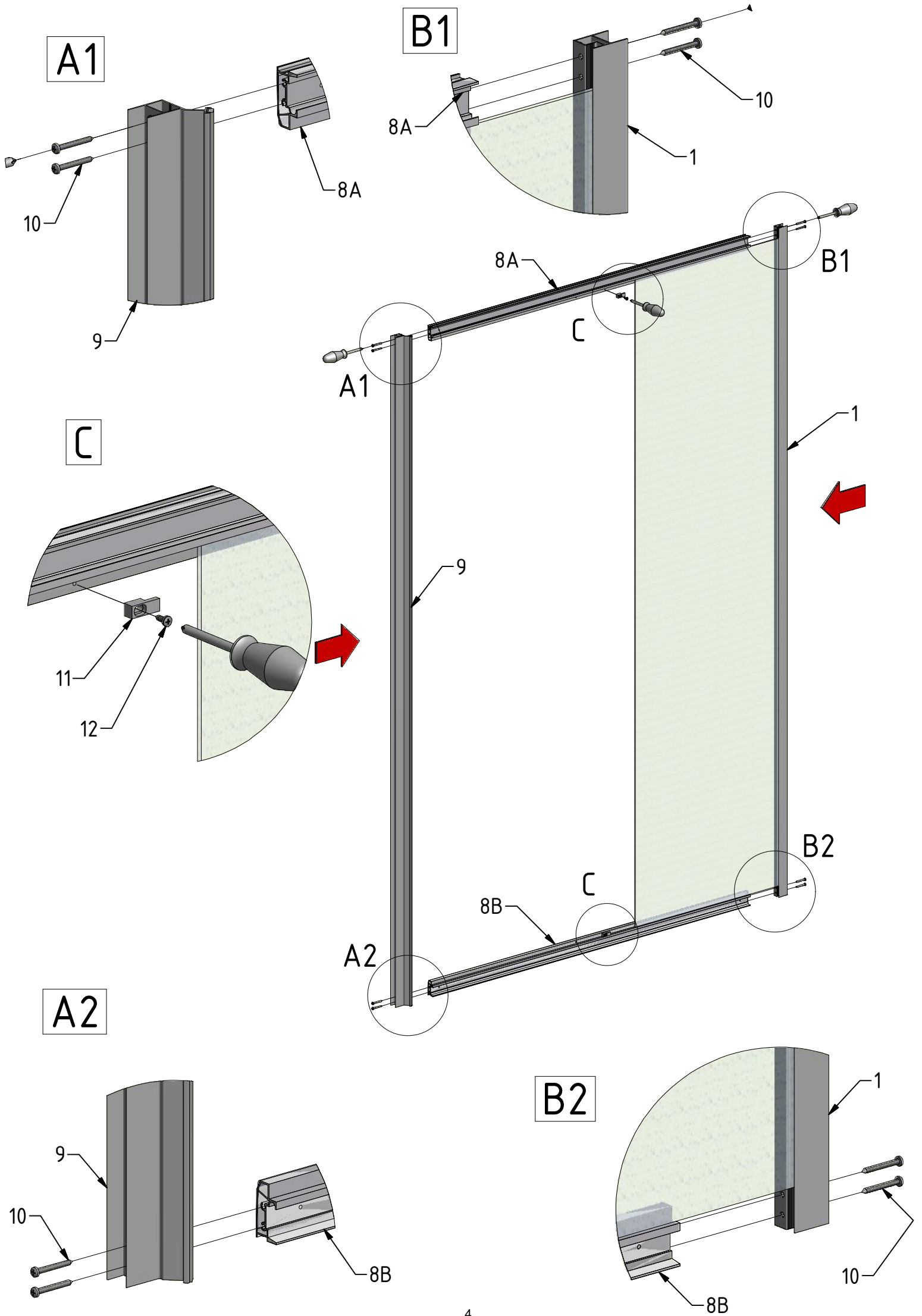


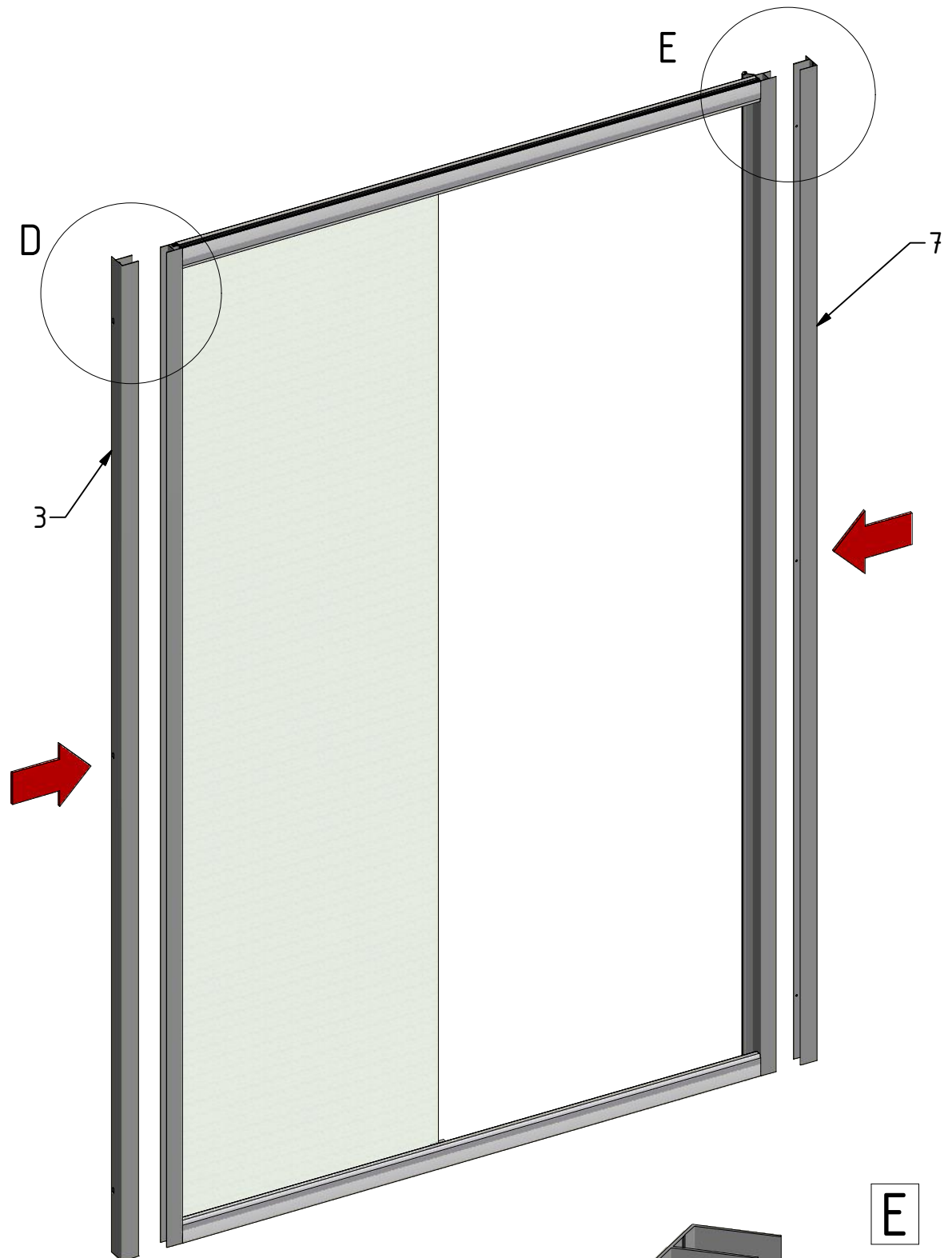
20. 2x (M9886)



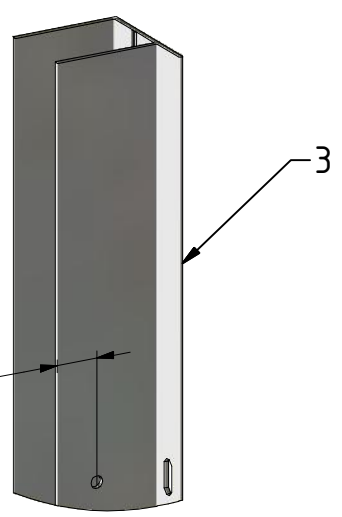
21. 2x (MA1870)





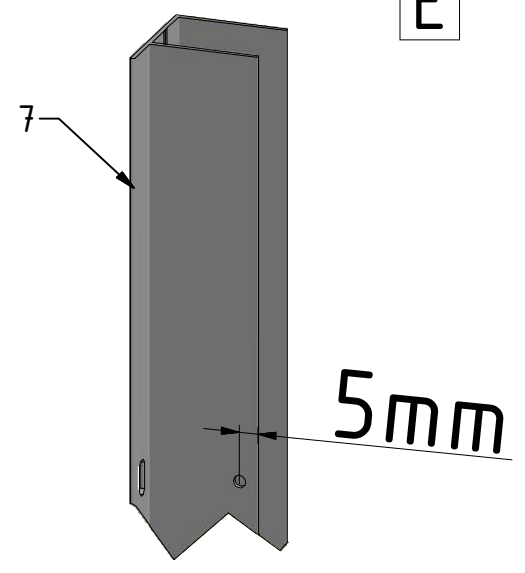


**D**



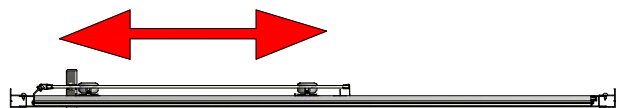
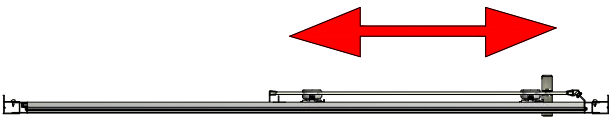
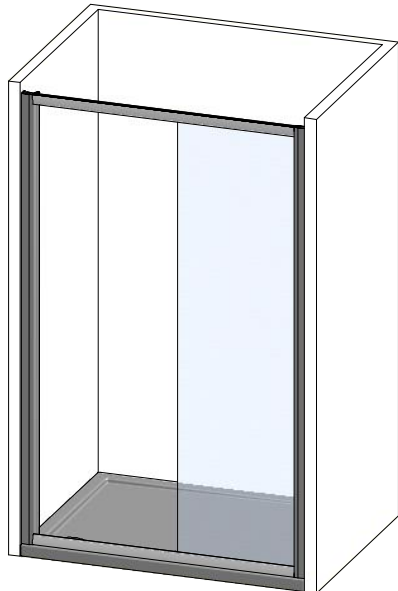
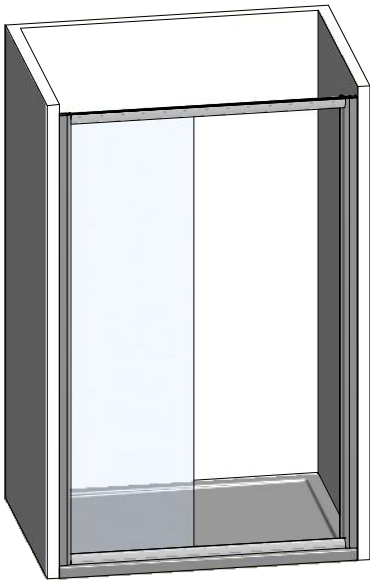
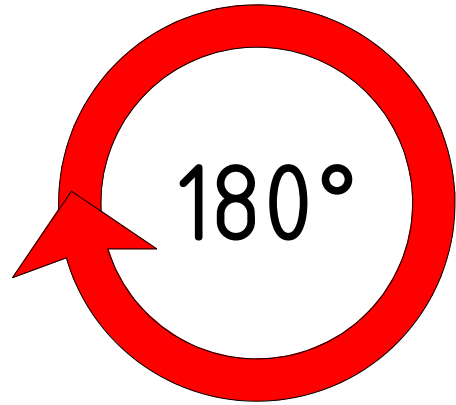
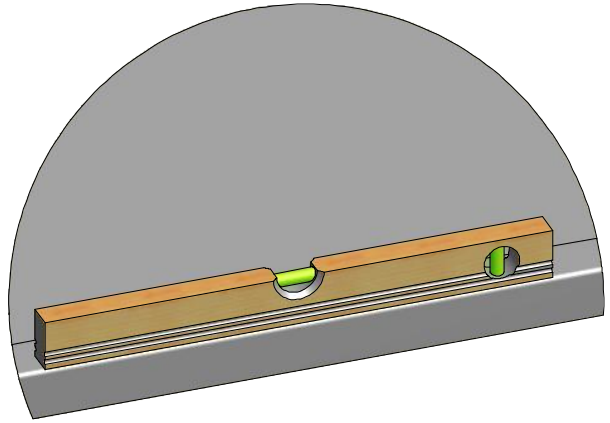
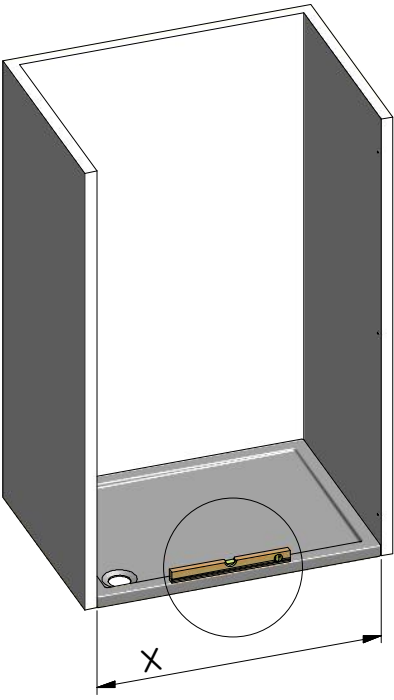
12mm

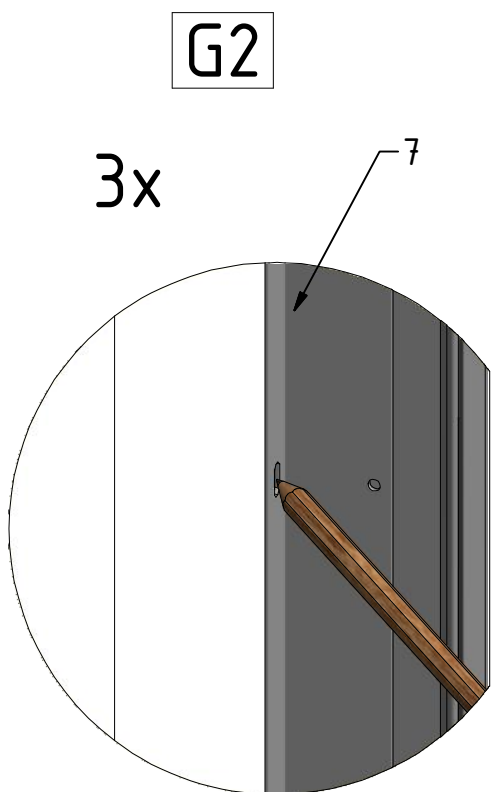
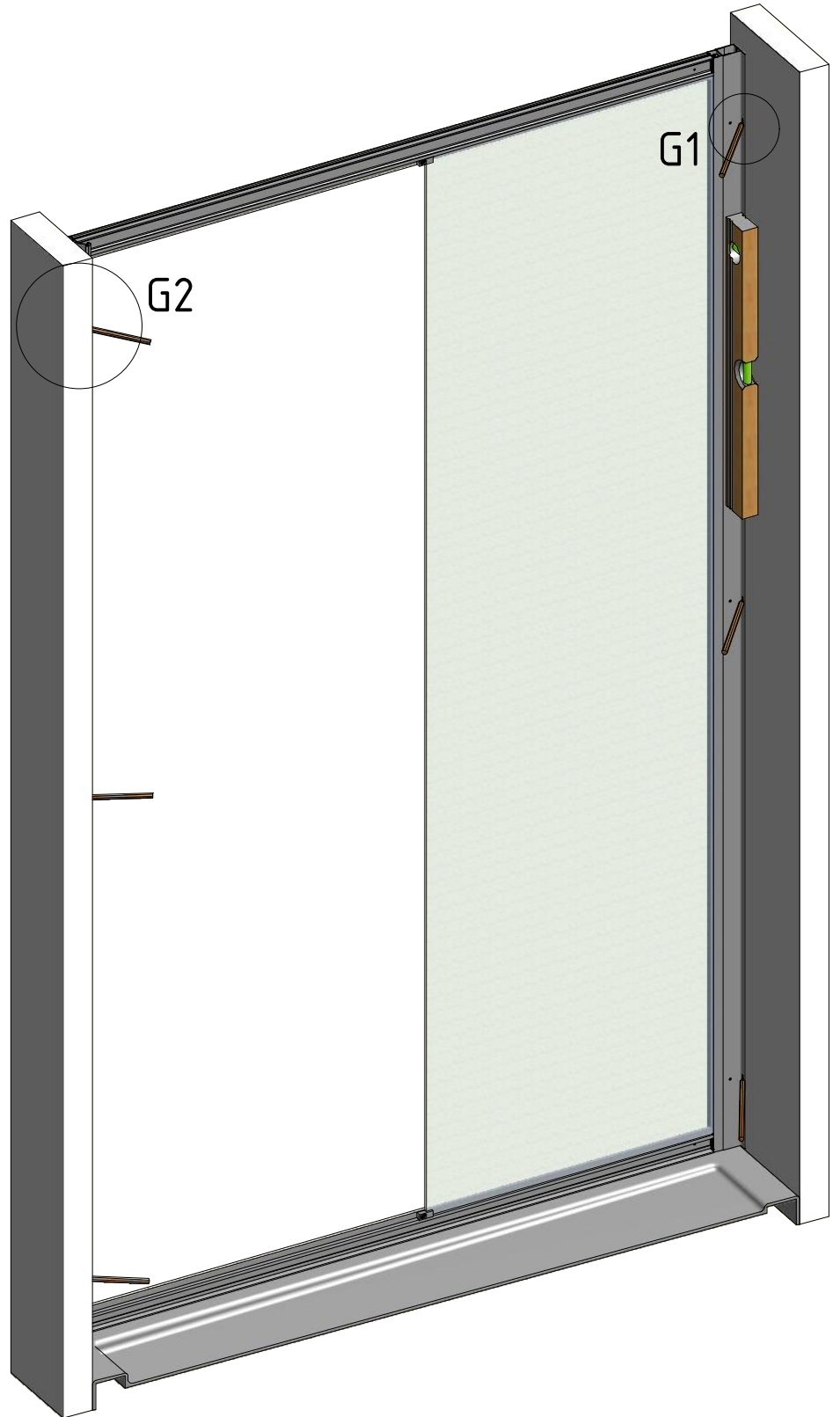
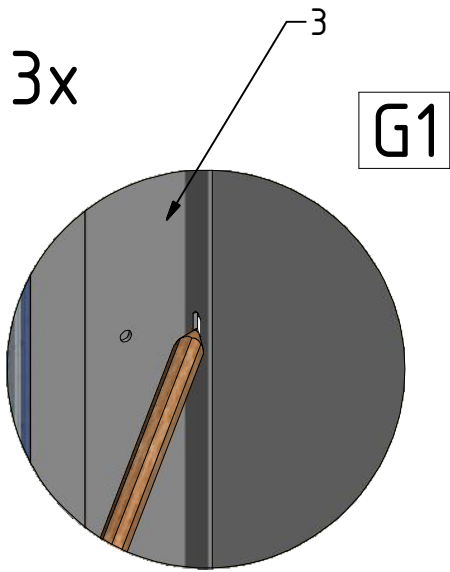
**E**

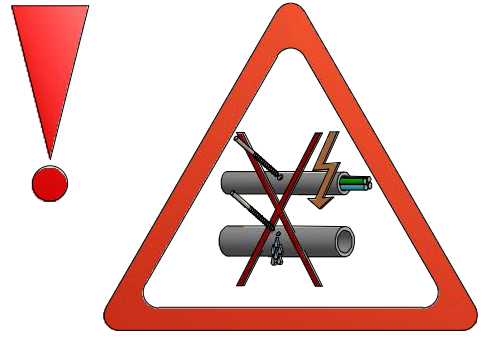
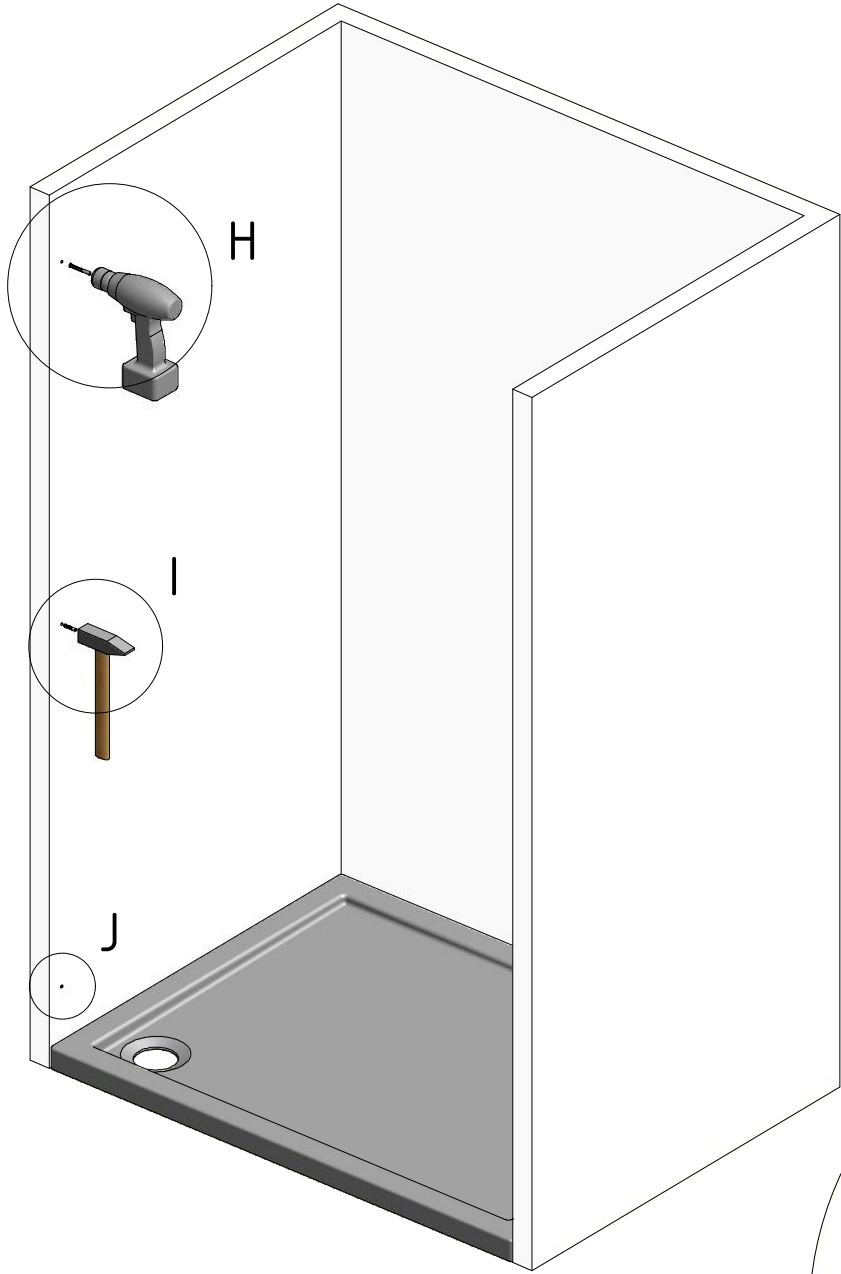


5mm

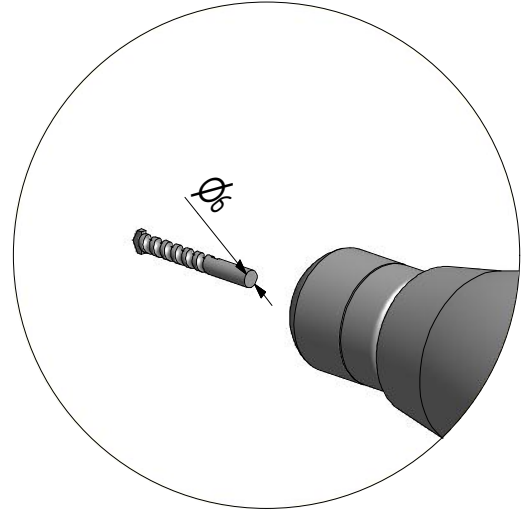
F



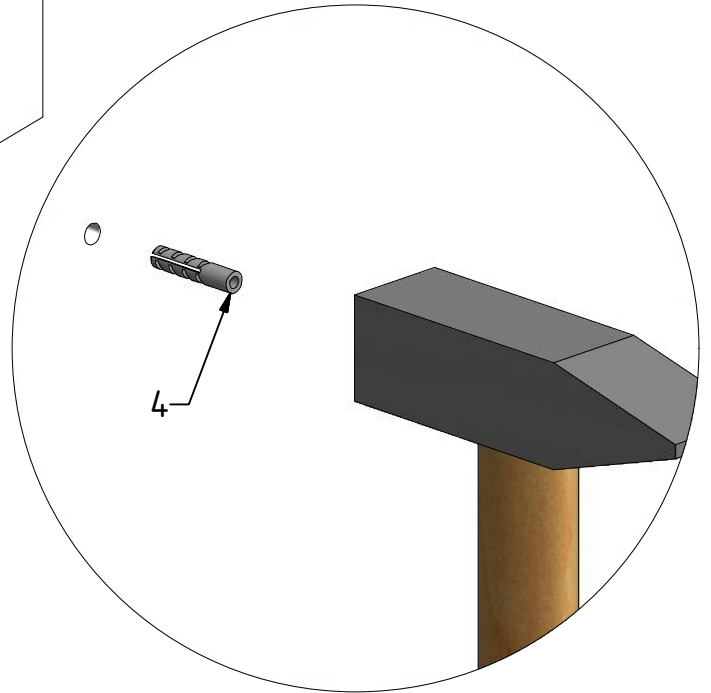




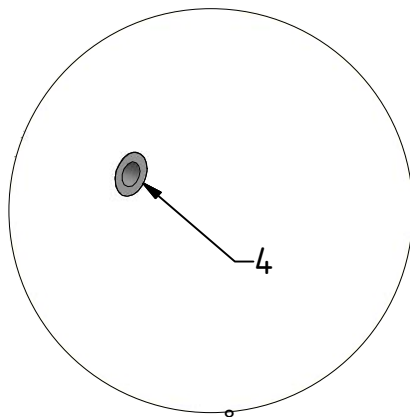
**H** 6x



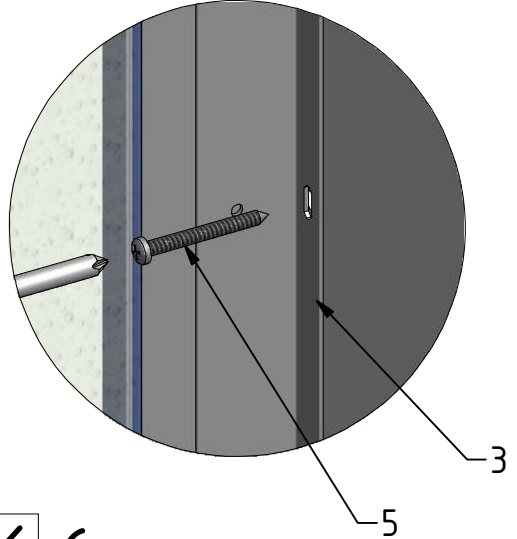
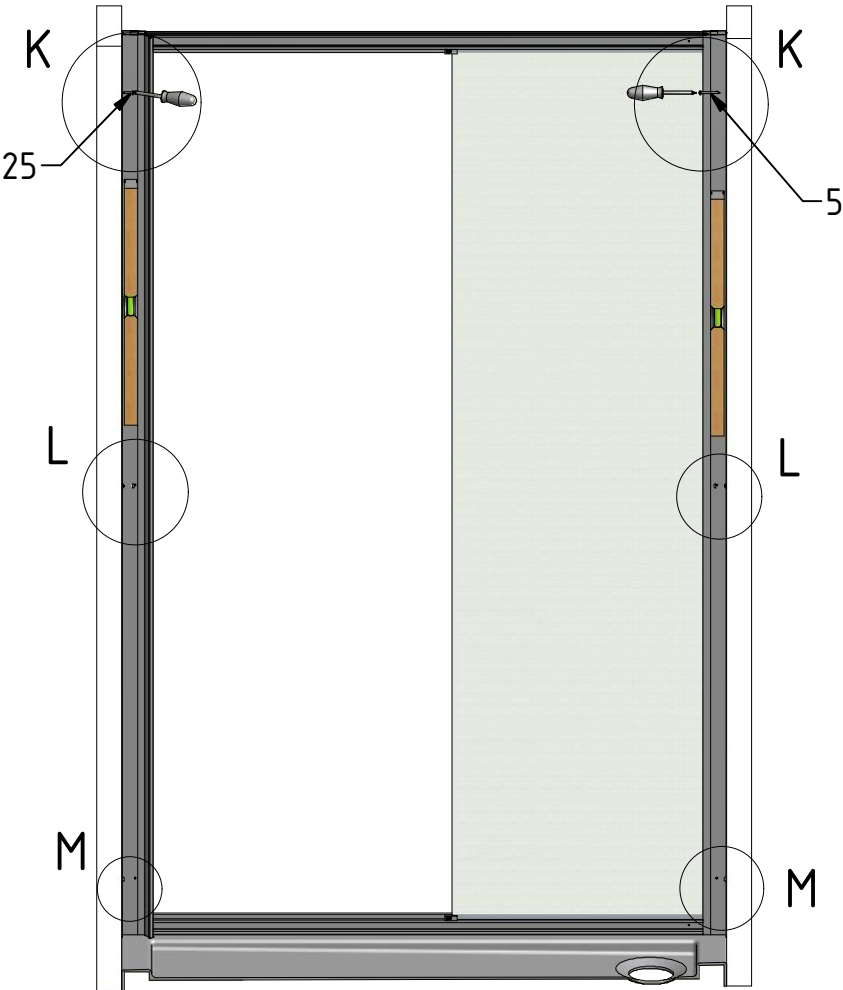
**I** 6x



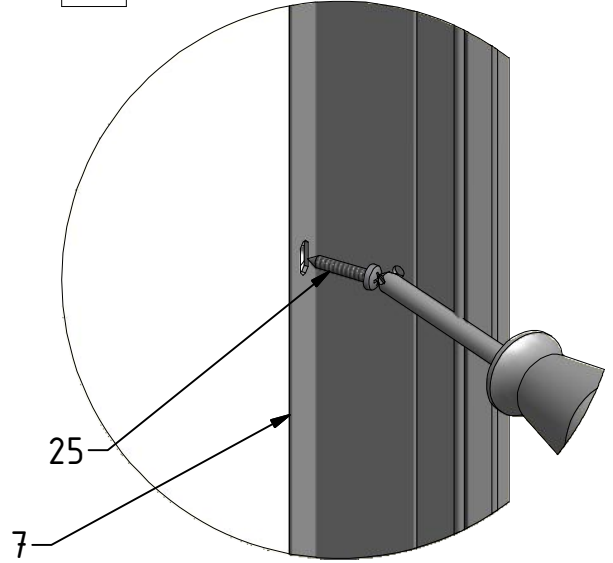
**J** 6x



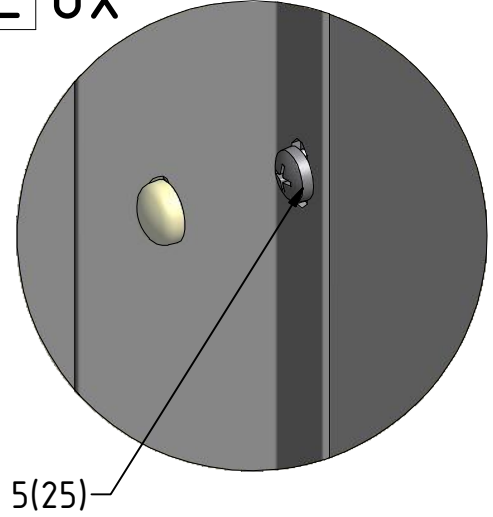




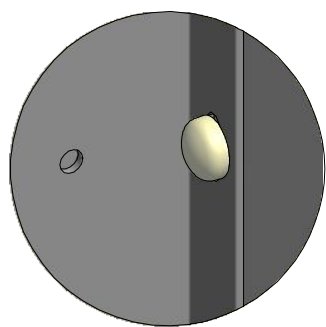
**K** 6x



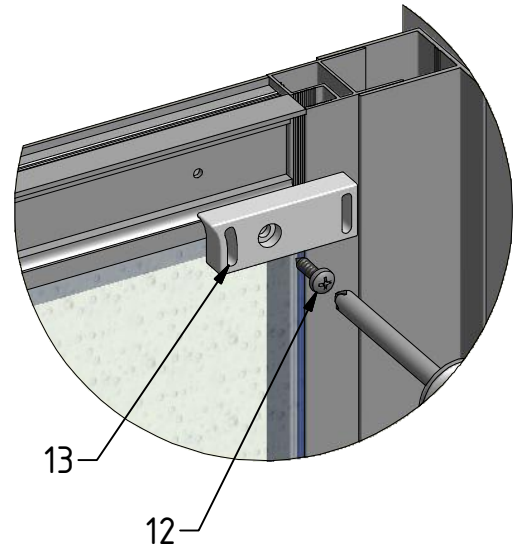
**L** 6x



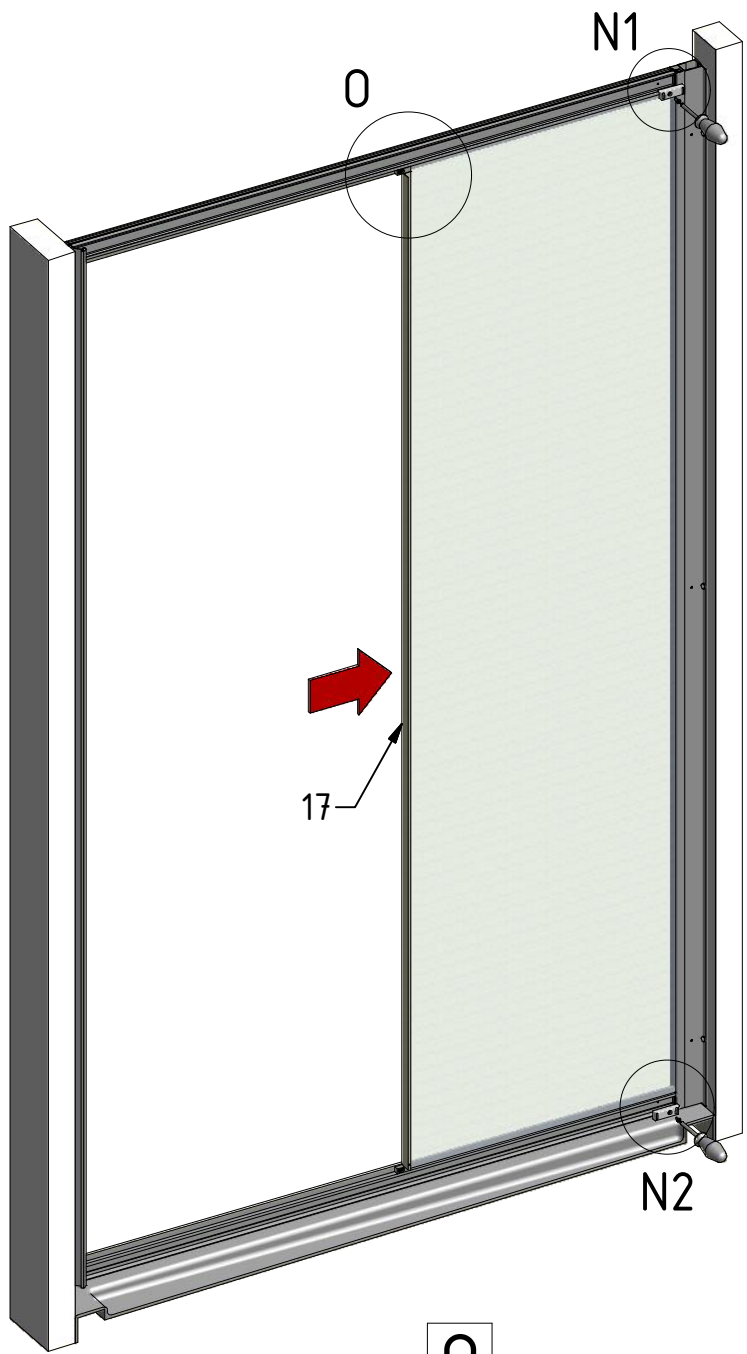
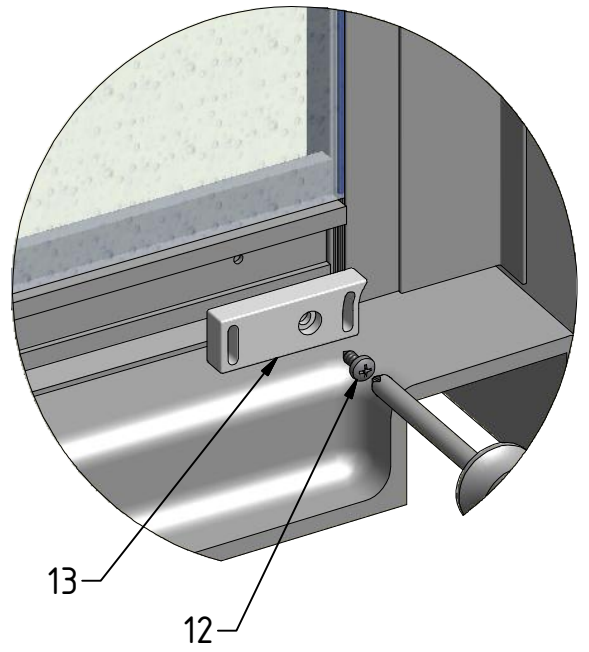
**M** 6x



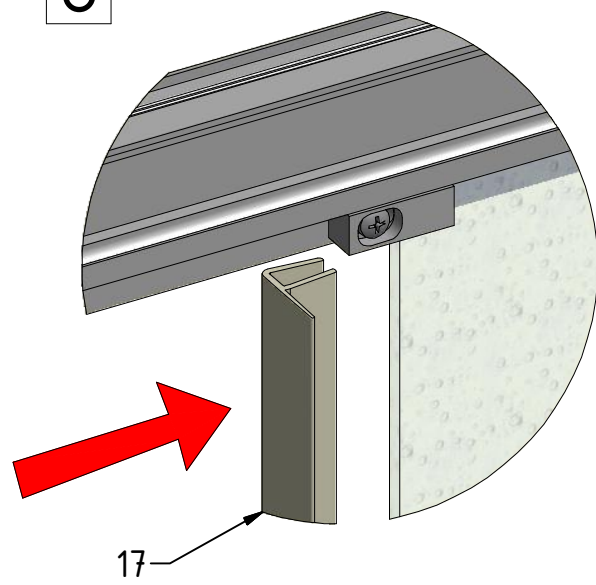
N1



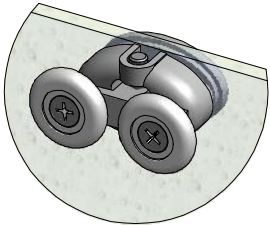
N2



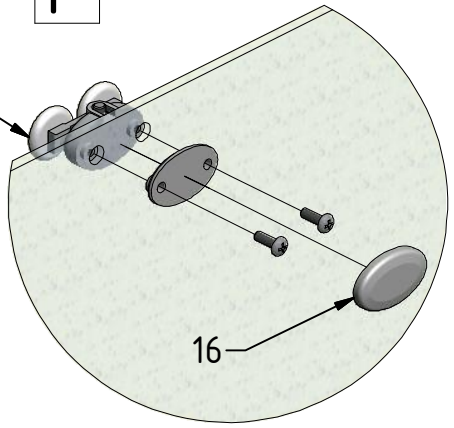
0



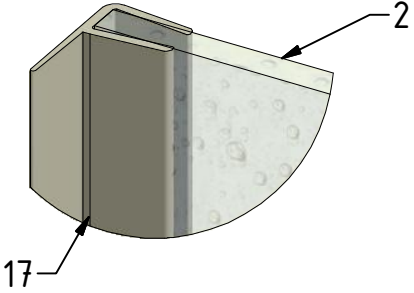
P



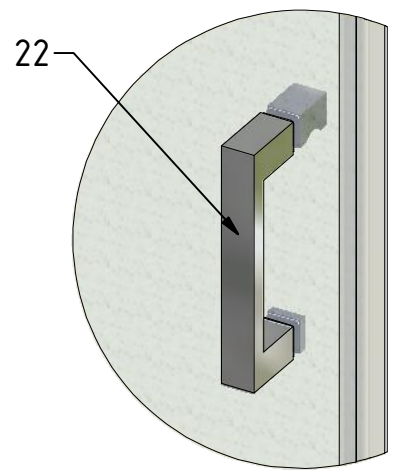
P



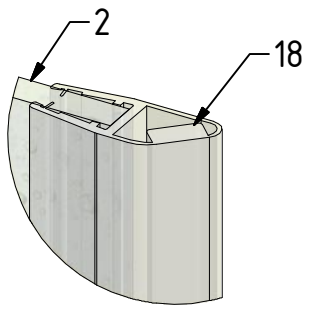
S



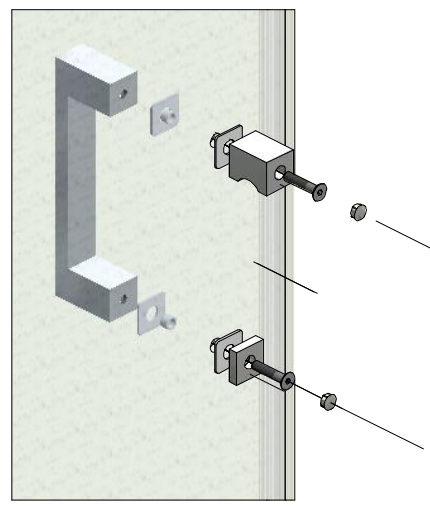
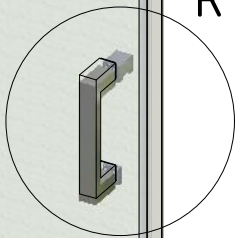
R



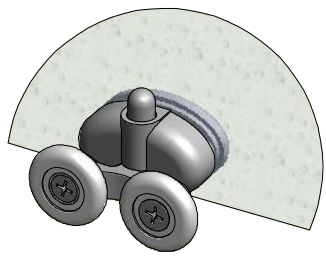
T



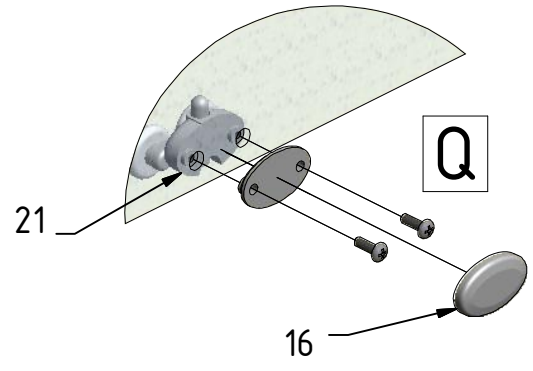
R



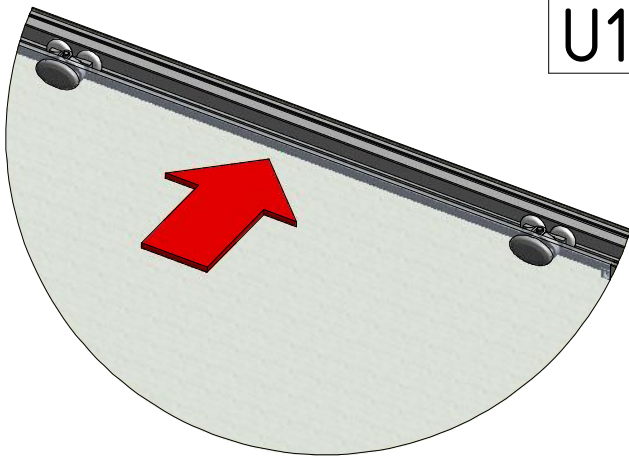
Q



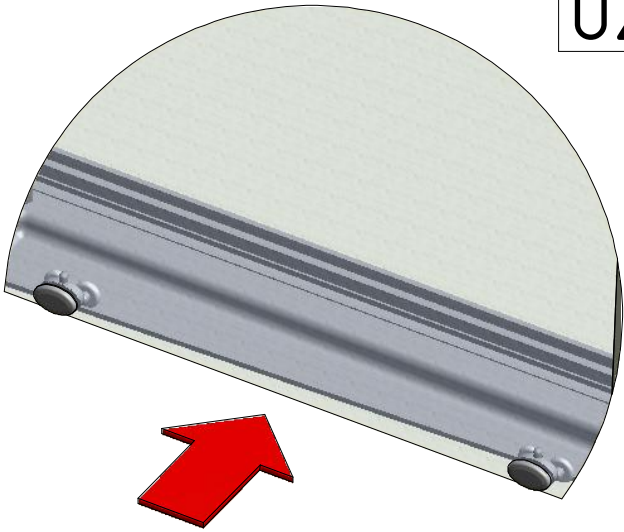
Q



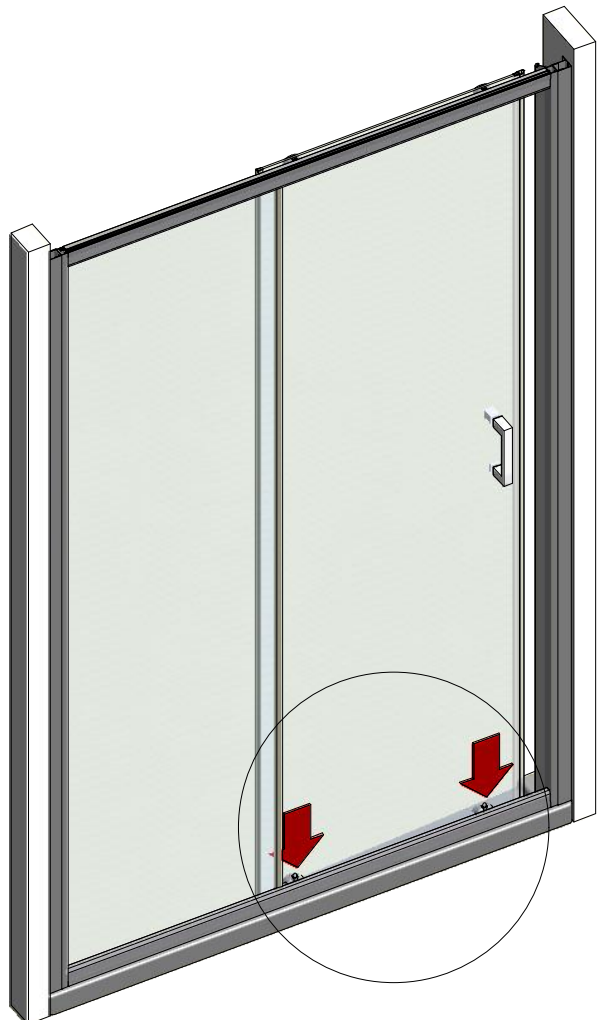
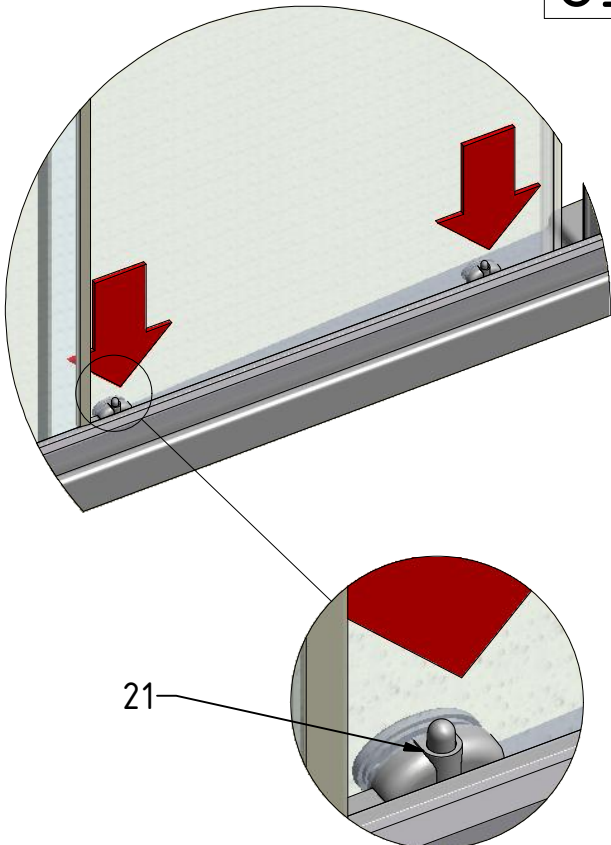
U1

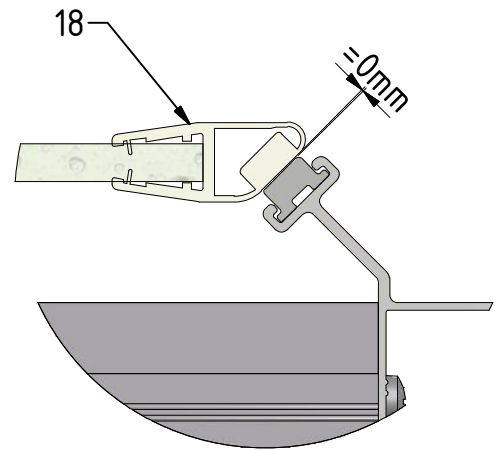


U2

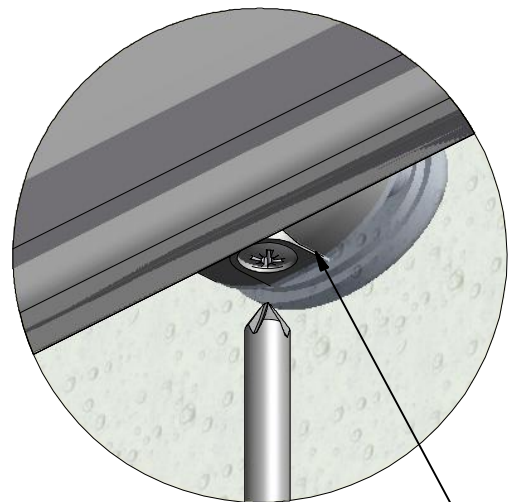
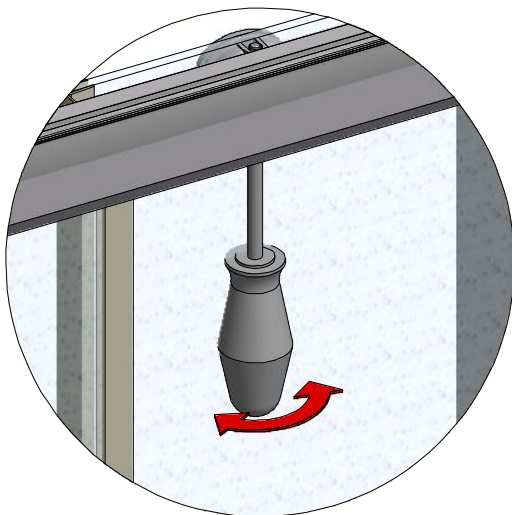


U3

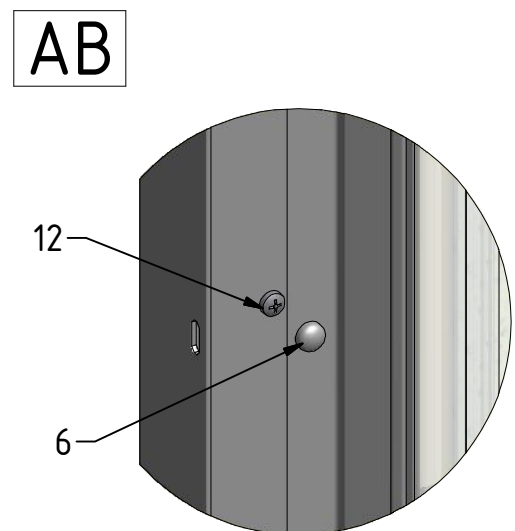
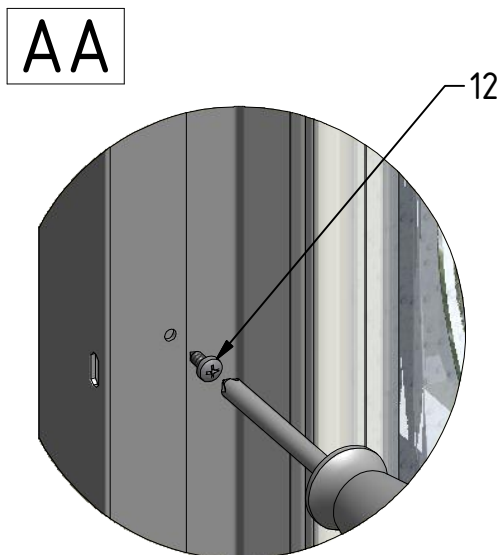
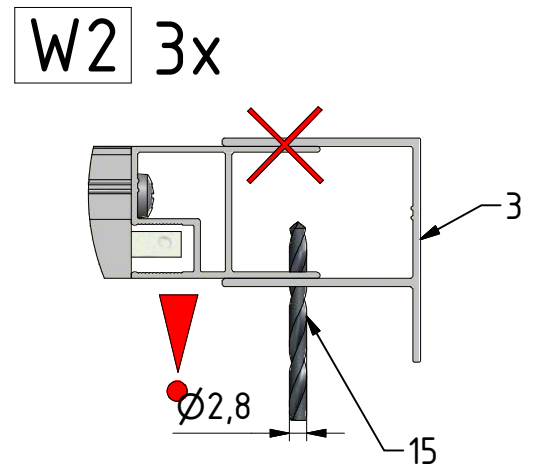
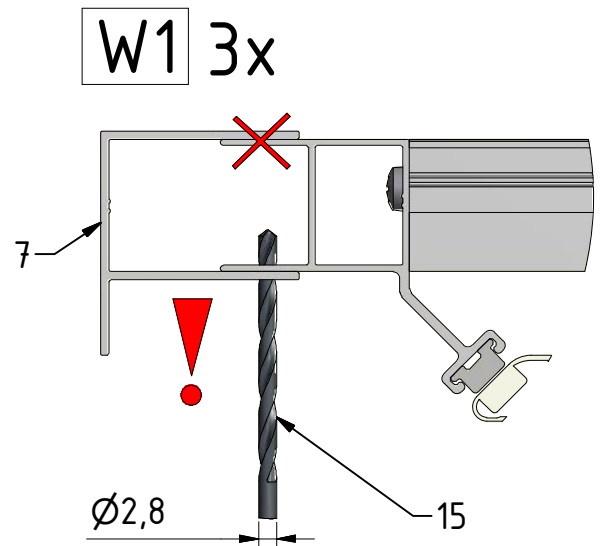
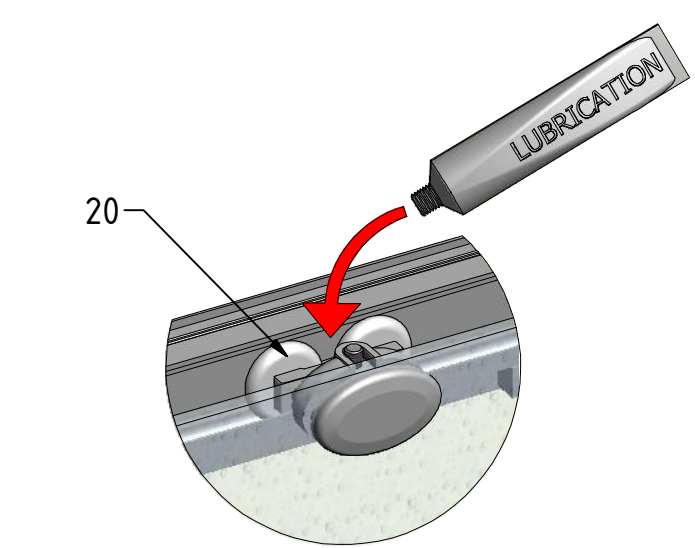
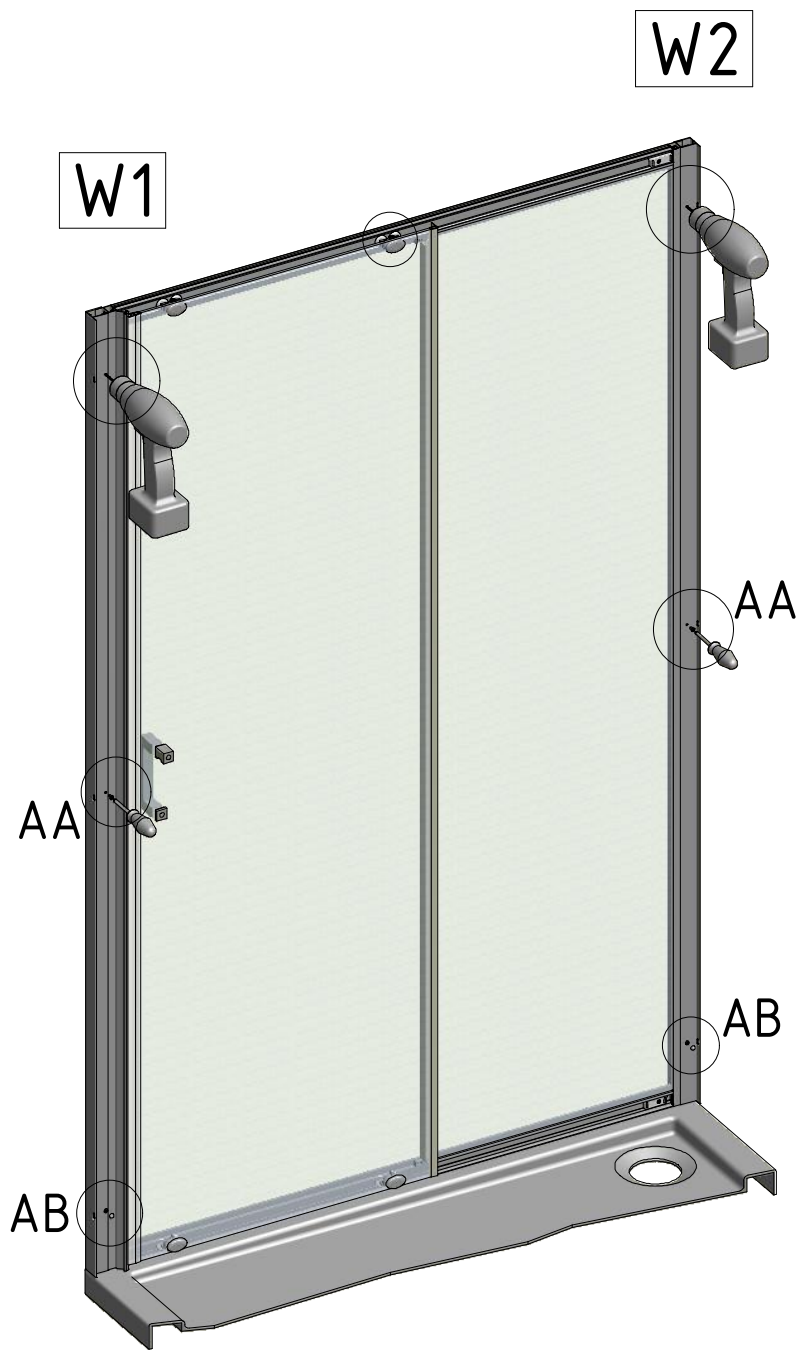


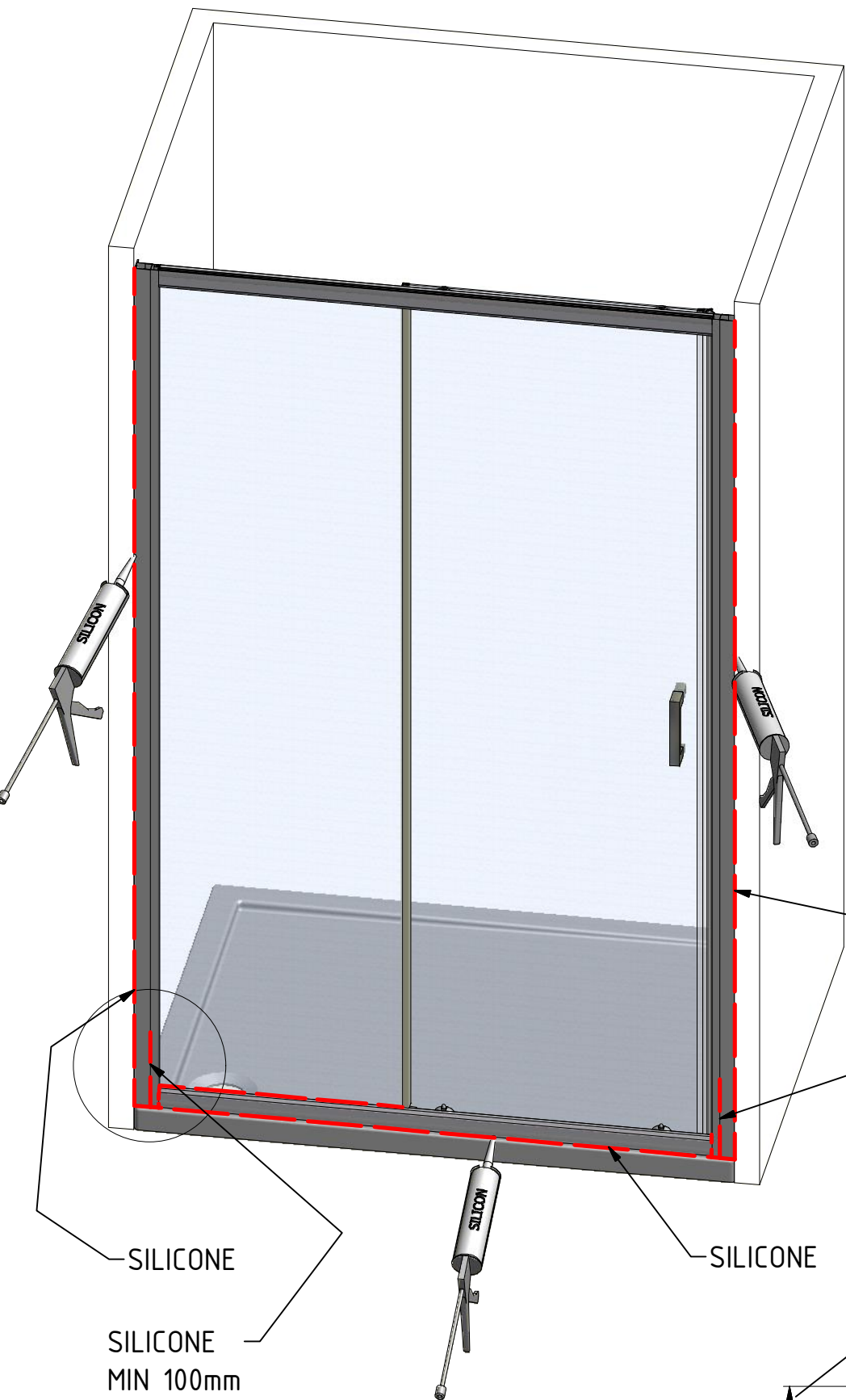


V

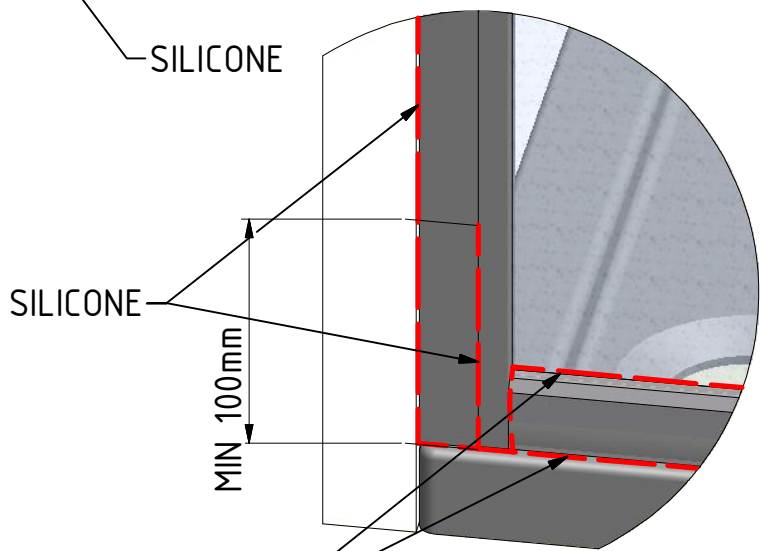


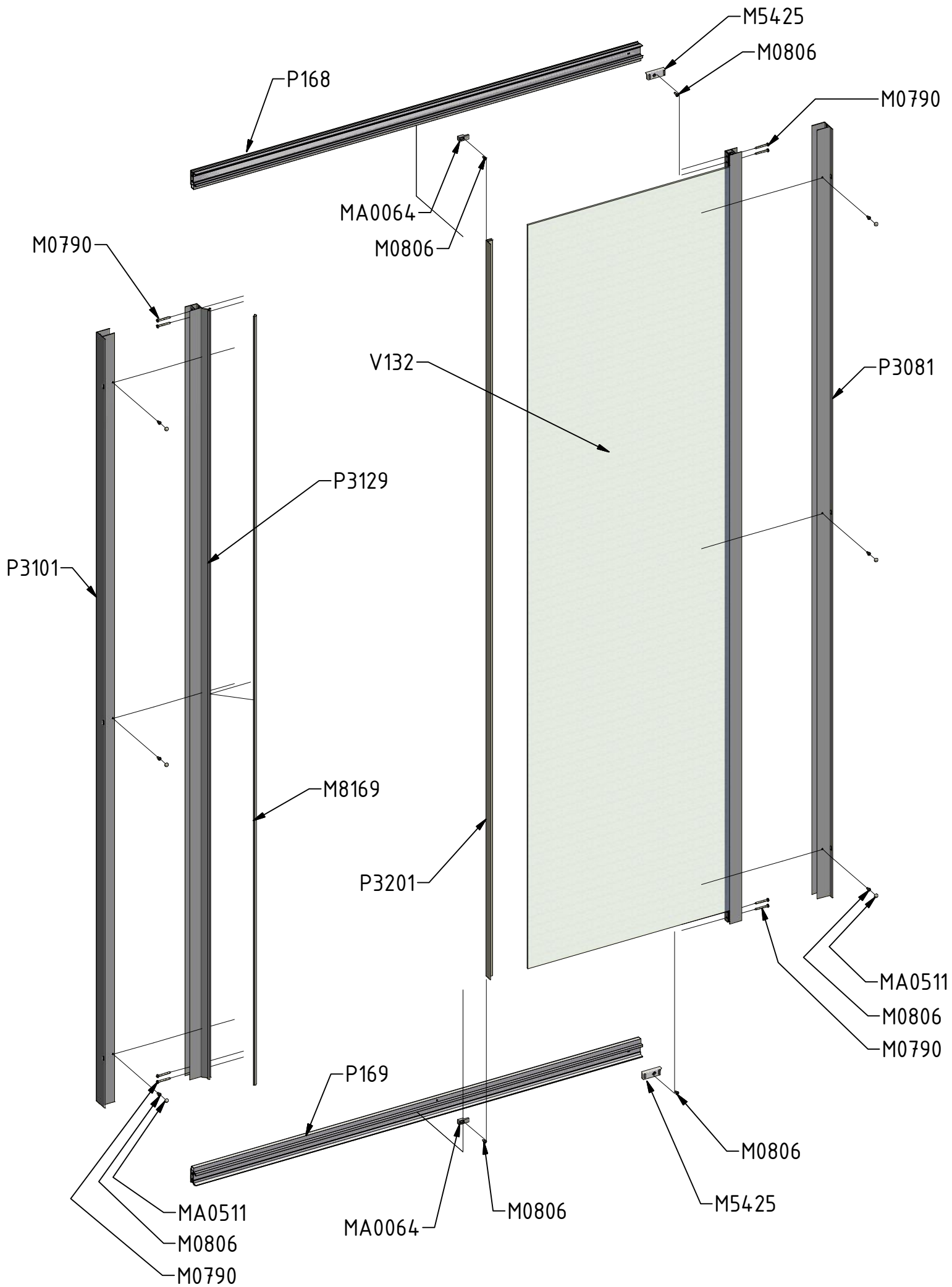
20



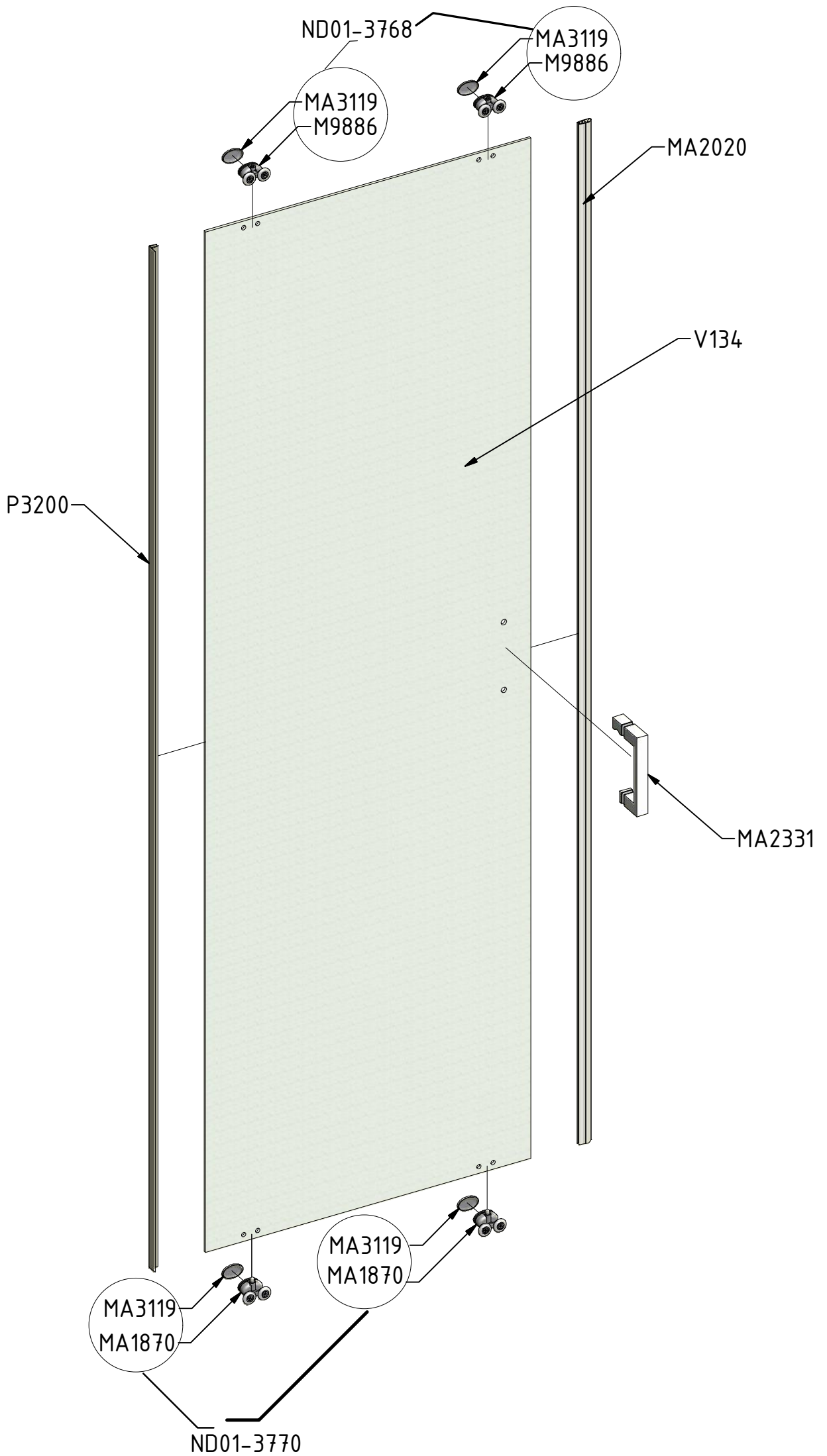


Y









LLD2 ZASUNOVAČKY

V132	1000	brillant+clear glass	ND03-0530-00-02
		brillant+intima	ND03-0530-00-21
	1200	brillant+clear glass	ND03-0531-00-02
		brillant+intima	ND03-0531-00-21
	1300	brillant+clear glass	ND03-0649-00-02
		brillant+intima	ND03-0649-00-21
	1400	brillant+clear glass	ND03-0532-00-02
		brillant+intima	ND03-0532-00-21
	1600	brillant+clear glass	ND03-0533-00-02
		brillant+intima	ND03-0533-00-21
	1700	brillant+clear glass	ND03-0700-00-02
		brillant+intima	ND03-0700-00-21
	1800	brillant+clear glass	ND03-0701-00-02
		brillant+intima	ND03-0701-00-21

V134	1000	clear glass	ND02-0665-02
		intima	ND02-0665-21
	1200	clear glass	ND02-0666-02
		intima	ND02-0666-21
	1300	clear glass	ND02-0729-02
		intima	ND02-0729-21
	1400	clear glass	ND02-0667-02
		intima	ND02-0667-21
	1600	clear glass	ND02-0668-02
		intima	ND02-0668-21
	1700	clear glass	ND02-0766-02
		intima	ND02-0766-21
	1800	clear glass	ND02-0767-02
		intima	ND02-0767-21

P168	1000	brillant	P3333
	1200		P3335
	1300		P4174
	1400		P3337
	1600		P3339
	1700		P4102
	1800		P4104

P169	1000	brillant	P3334
	1200		P3336
	1300		P4175
	1400		P3338
	1600		P3340
	1700		P4103
	1800		P4105