

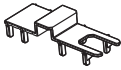
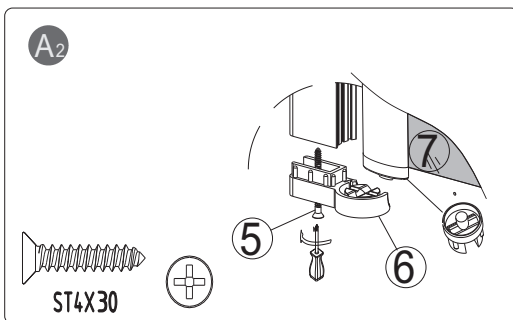
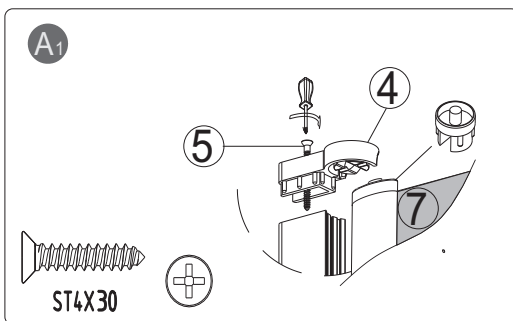
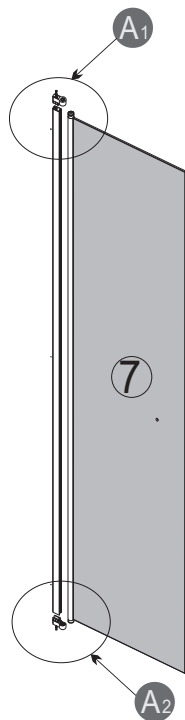
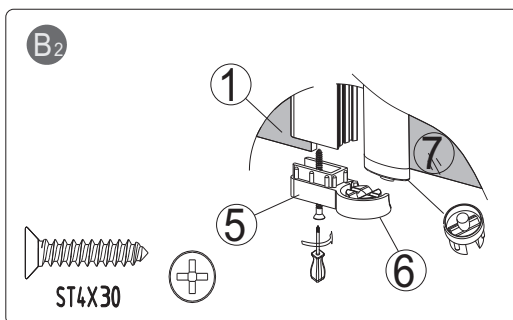
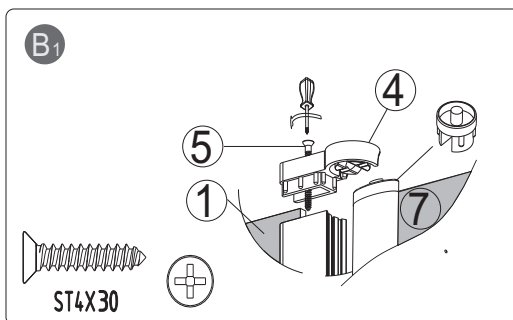
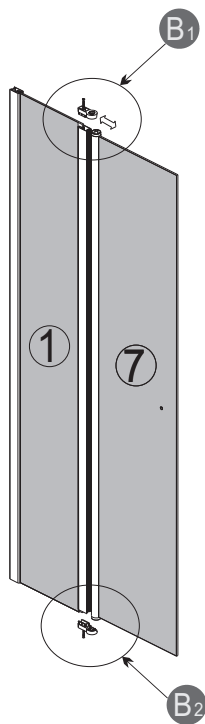


NO.	Designation	Pieces		NO.	Designation	Pieces
1		X1				
2		X1				
3		X1				

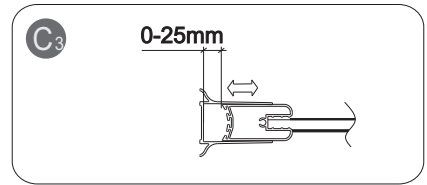
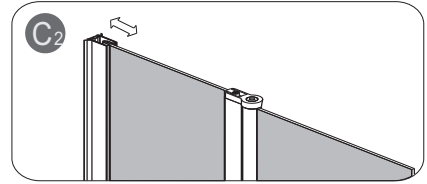
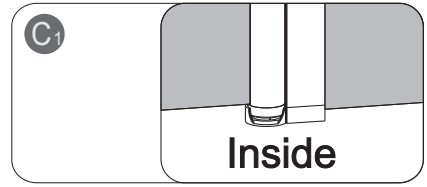
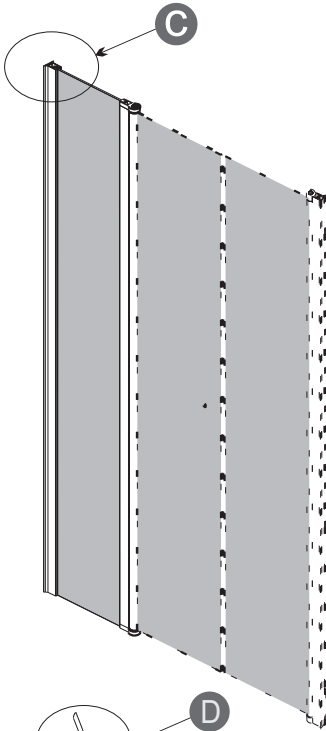
1.



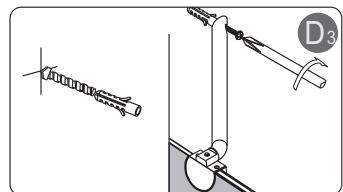
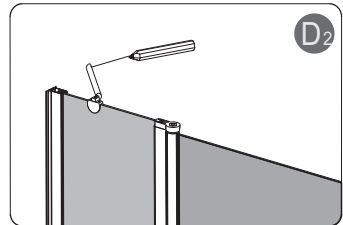
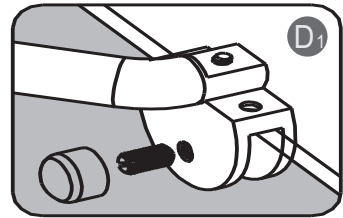
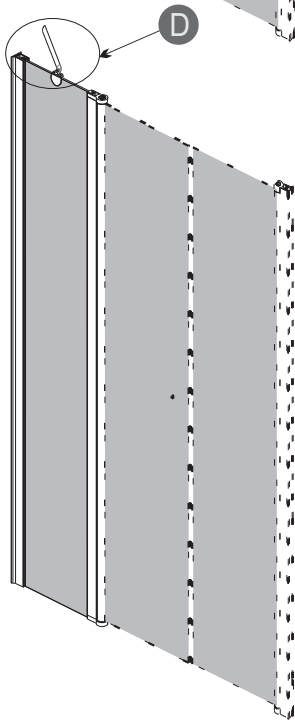
2



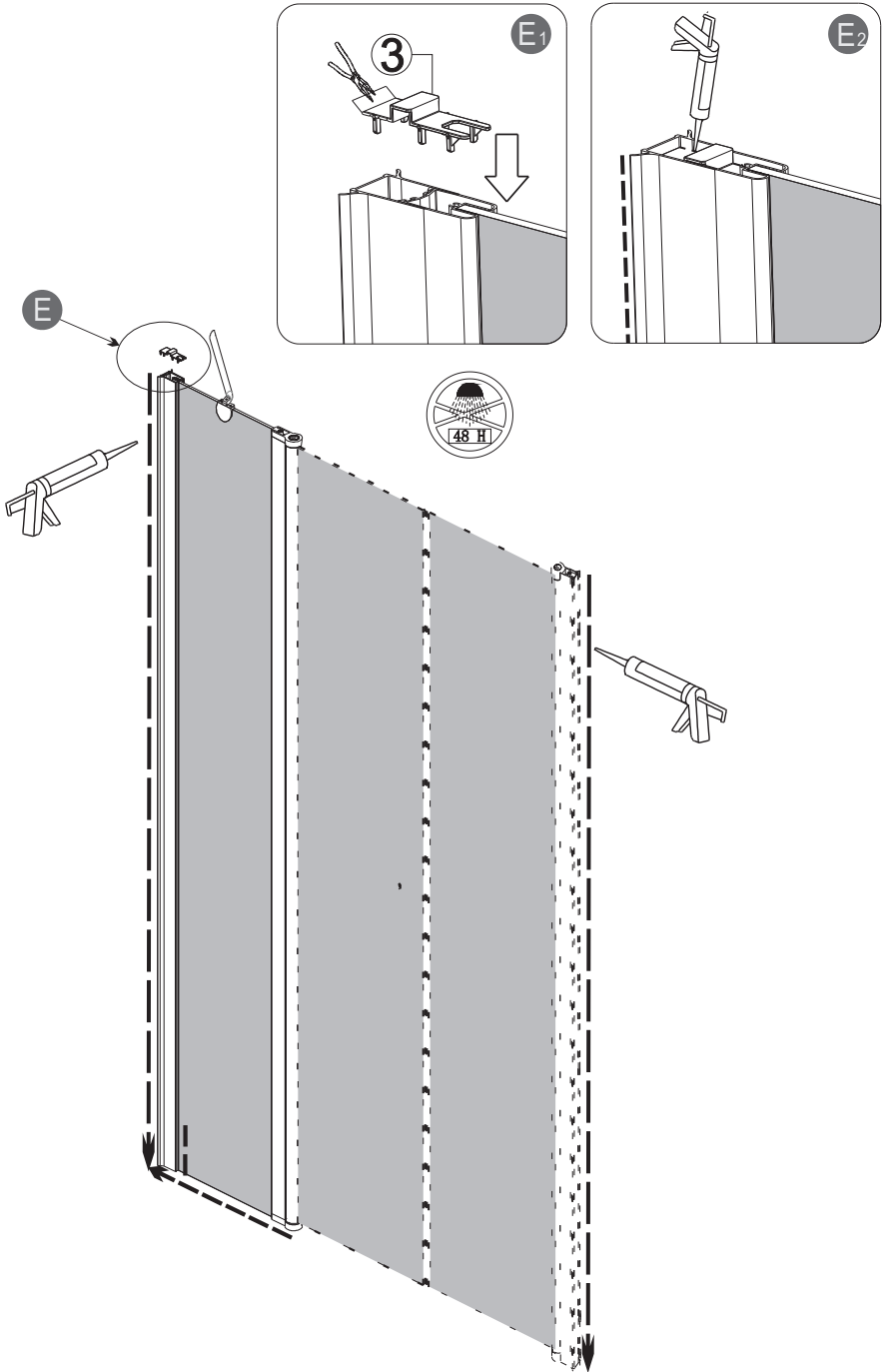
3.



4.



5.



6

