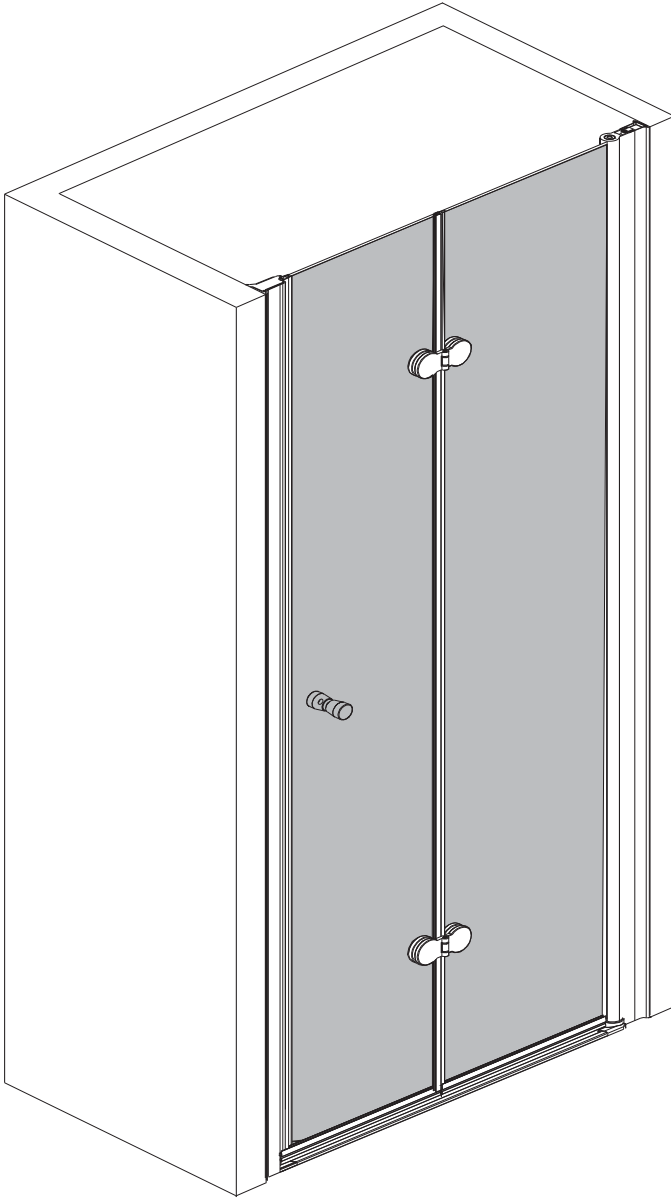
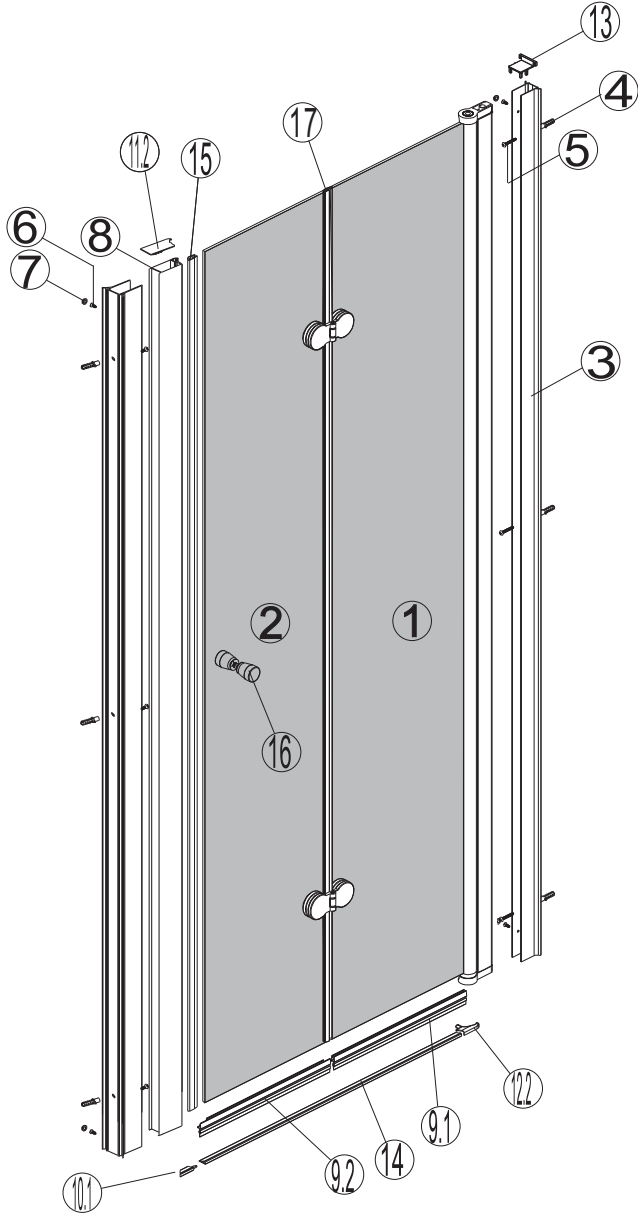
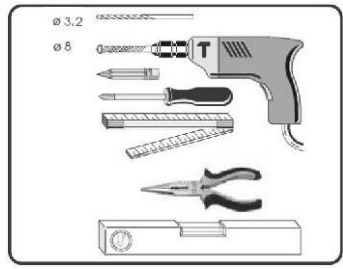
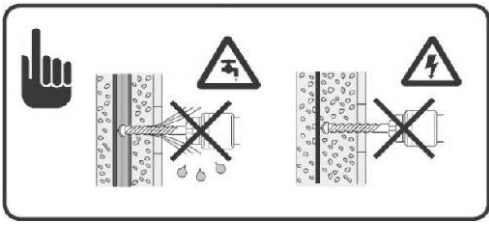



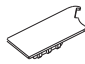

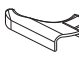


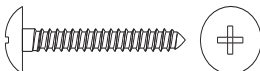
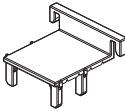



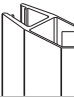
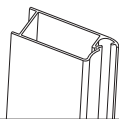




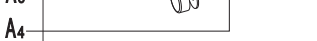




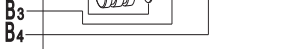





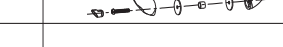



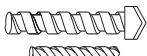



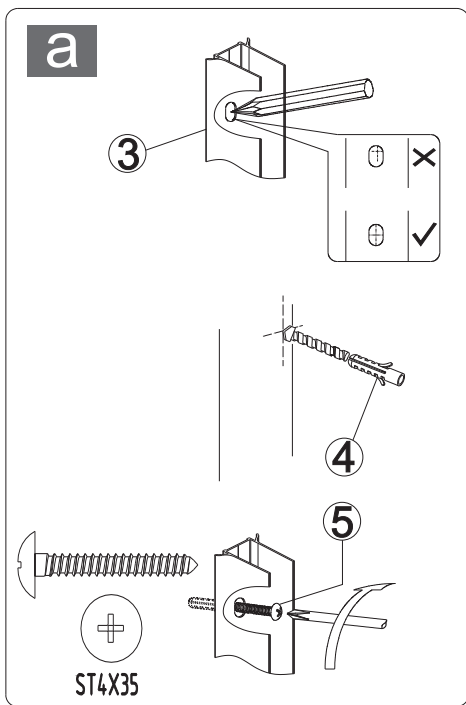
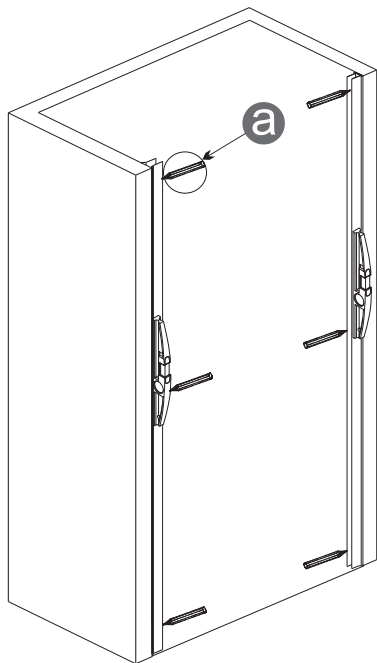
SMART



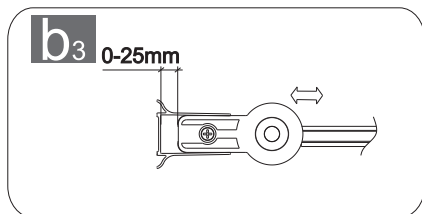
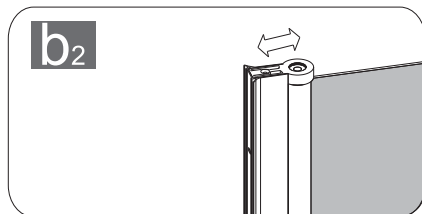
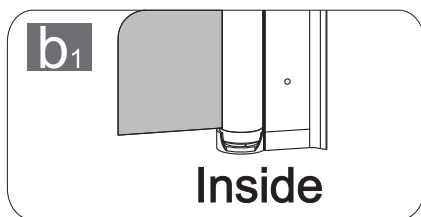
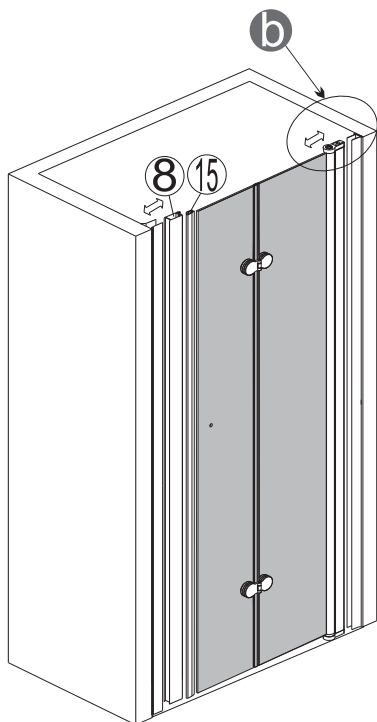


NO.	Designation	Pieces	NO.	Designation	Pieces
1		X1	11.1		X1
2		X1	11.2		X1
3		X2	12.1		X1
4	 $\phi 8$	X6+1	12.2		X1
5	 ST4X35	X6+1	13		X1
6	 ST4X10	X4+1	14		X1
7		X4+1	15		X1
8		X1	A1		X2
9.1		X1	A2		X4
9.2		X1	A3		X8
10.1		X1	A4		X4
10.2		X1	B1		X4
			B2		X4
			B3		X2
			B4		X2
			C1		X4
			C2		X4
			C3		X2
			C4		X8
			C5		X4
			C6		X2
			D	No handle	
			17		X1
				 $\phi 8$  $\phi 3.2$	

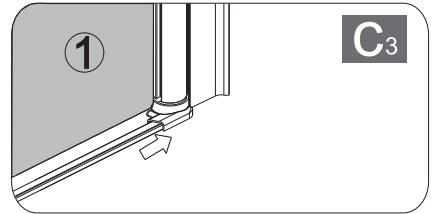
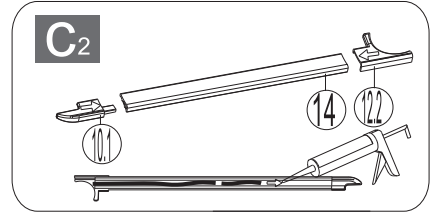
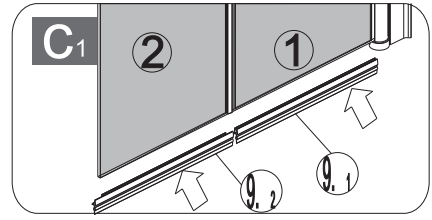
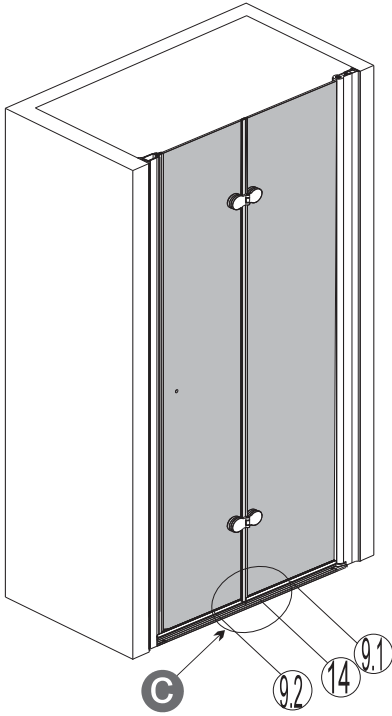
1.



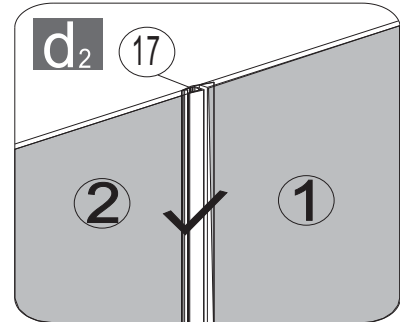
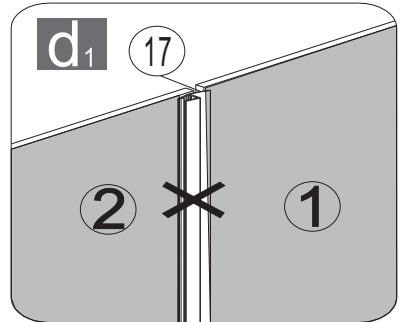
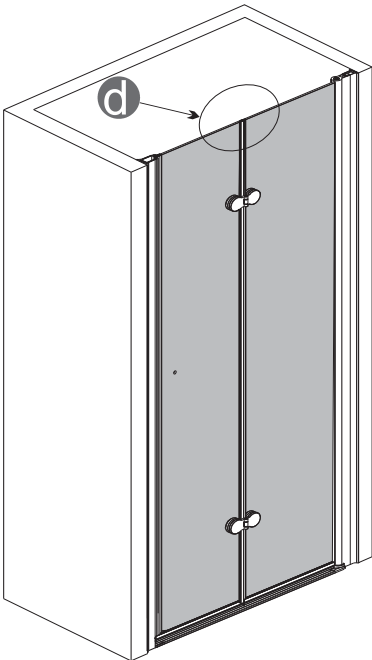
2.



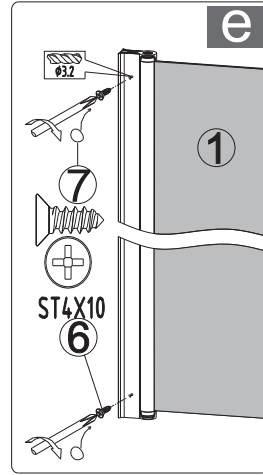
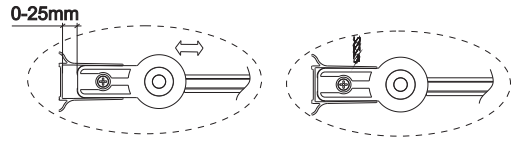
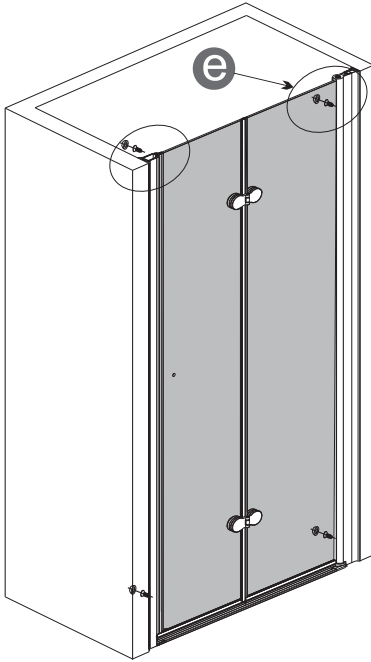
3.



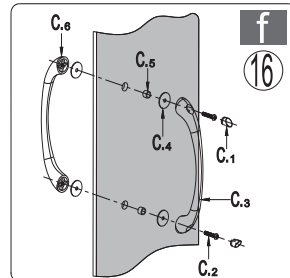
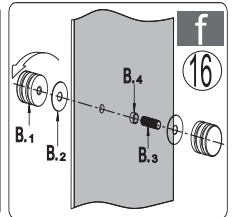
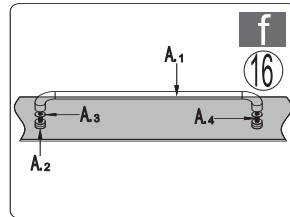
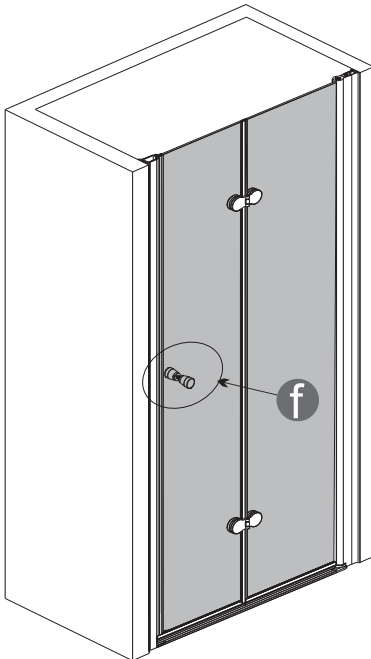
4.



5.



6.



7.

